

VARIANT – LED

Material	steel pipes $\varnothing$ 28 mm steel profiles 70 × 11 mm
LED lighting bars	white or RGB-with remote control power supply 230V
Connection thread	2 × G 1/2"
Testing overpressure	0,65 Mpa
Max. operating overpressure	0,5 Mpa
Max. operating temperature	75 °C



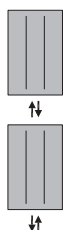
RGB LED REMOTE CONTROLLER

VARIANT – LED

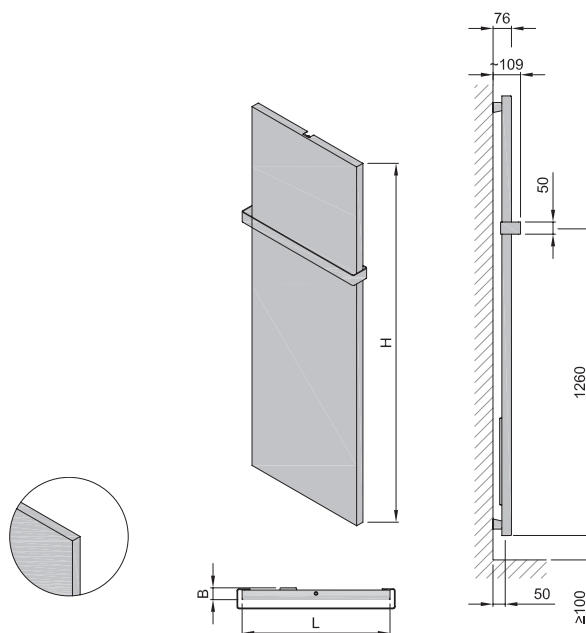
VARIANT – LED

Type H/L [mm]	Depth B [mm]	Weight [kg]	Water capacity [l]	Temperature exponent [n]	Heating Output [W]			Connection span [mm]
					75/65/20 °C	70/55/20 °C	55/45/20 °C	
<b>1806/608</b>	49	44,5	8,2	1,279	<b>1070</b>	869	557	mc 50

Thermal power measuring follows in accordance with EN442.  
Connection fittings and stainless steel rail are not part of the radiator.



Connection options



Option of adding up to 2 rails