

VARIANT MIRROR - LED

Material	whole area mirror, thickness 4 mm steel pipes \varnothing 28 mm / steel profiles 70 × 11 mm
LED lighting bars	white or RGB-with remote control power supply 230V
Connection thread	2 × G 1/2"
Testing overpressure	0,65 Mpa
Max. operating overpressure	0,5 Mpa
Max. operating temperature	75 °C



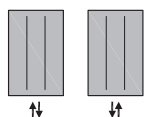
RGB LED REMOTE
CONTROLLER

VARIANT MIRROR - LED

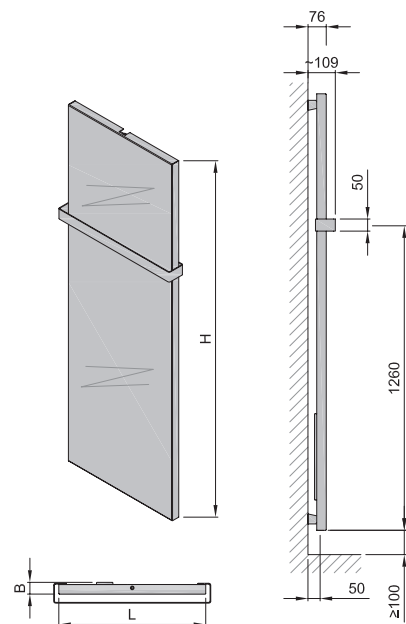
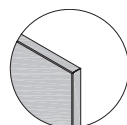
VARIANT MIRROR - LED

Type H/L [mm]	Depth B [mm]	Weight [kg]	Water capacity [l]	Temperature exponent [n]	Heating Output [W]			Connection span [mm]
					75/65/20 °C	70/55/20 °C	55/45/20 °C	
1806/608	49	55,9	8,2	1,28	749	608	390	mc 50

Thermal power measuring follows in accordance with EN442.
Connection fittings are not part of the radiator.



Connection options



Option of adding up to 2 rails